



# APL Anchor Plates

For fastening steel parts to concrete

**PFEIFER**

# Stock item or individual custom solutions.



## Process advantages

- Free dimensioning software (Köco StudCalc-Pro)
- Application advice and dimensioning help
- Quick deliverable stock items
- Custom variants possible on-time on enquiry
- Nail holes for formwork fixing



## Technical safety

- Approved headed studs with European Technical Assessment (ETA-03/0039)
- ISO 9001 certified production with welding certificate according to EN 1090-2
- CE marking and declaration of performance
- Ultrasonic testing or certain Z-qualities of the steel plate verifiable on enquiry



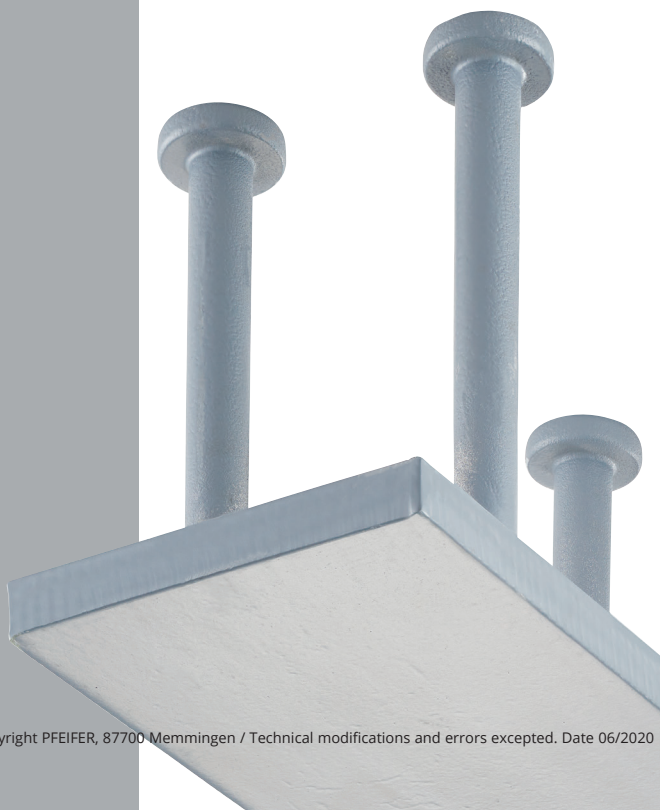
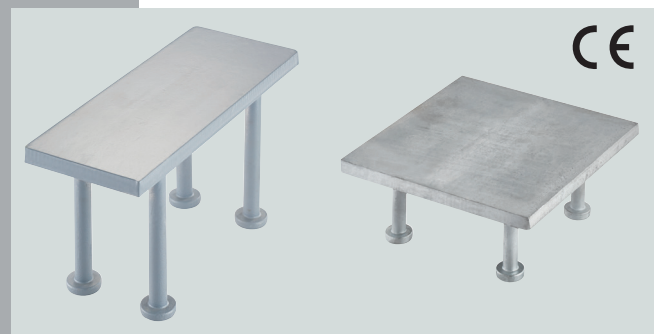
## Wide range of variants

- Coated with anti-corrosion paint, hot-dip galvanized and (on enquiry) untreated variants
- Standardised plate sizes and anchoring depths
- **For custom variants, simply fill in the enquiry form to get an individual quotation!**

Form now available at:  
[www.pfeifer.info/ankerplatten](http://www.pfeifer.info/ankerplatten)



Downloads:  
Enquiry form



# Ankerplatten APL



**PFEIFER**

**Fastening**  
**Anchor plates**

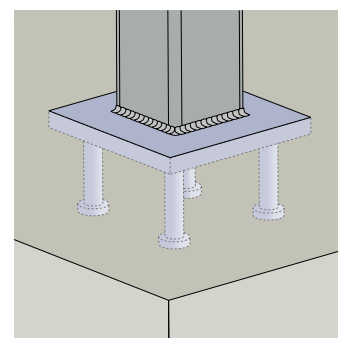
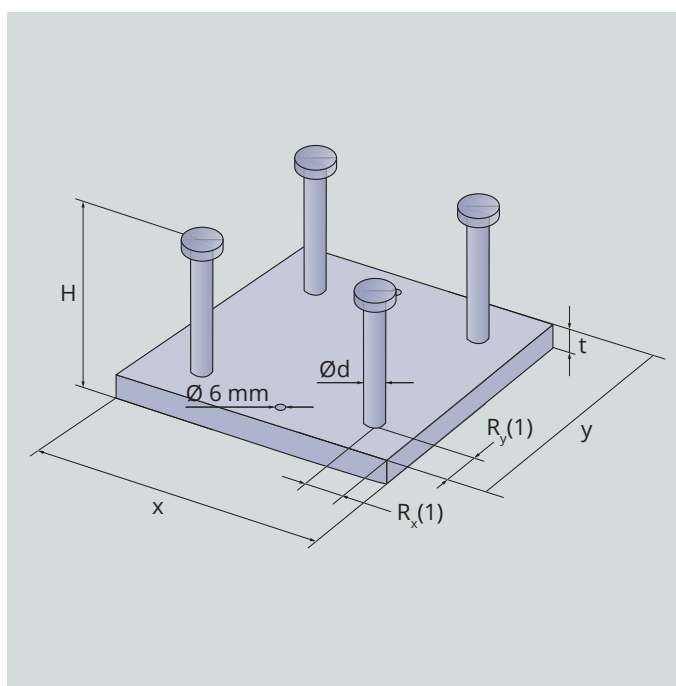
Anchor plates consist of a steel plate with welded headed studs and are used to fasten steel components to concrete elements. To this end the anchor plates are cast in the concrete element.

The headed studs serve as anchorage. In the installation state, the steel plate is flush with the surface of the concrete. It is possible to weld a steel component onto it.

## Materials:

Base plate: Steel S355 painted (p) or hot-dip galvanized (tzn)

Headed stud: Forged steel, untreated (p) or hot-dip galvanized (tzn)



**Table 1: APL anchor plates**

Type	Ref. no. painted	Ref. no. hot-dip galvanized	x [mm]	y [mm]	t [mm]	H [mm]	R <sub>x</sub> (1) [mm]	R <sub>y</sub> (1) [mm]	Ød [mm]	Weight [kg/pc.]
APL 100x100x8-58-4x13-S355-p/tzn	420514	420558	100	100	8	58	15	15	13	0,94
APL 100x100x8-83-4x13-S355-p/tzn	420515	420559	100	100	8	83	15	15	13	1,04
APL 100x100x8-108-4x13-S355-p/tzn	420516	420560	100	100	8	108	15	15	13	1,25
APL 100x150x10-60-4x13-S355-p/tzn	420517	420561	150	100	10	60	15	30	13	1,49
APL 100x150x10-85-4x13-S355-p/tzn	420518	420562	150	100	10	85	15	30	13	1,59
APL 100x150x10-110-4x13-S355-p/tzn	420519	420563	150	100	10	110	15	30	13	1,80
APL 100x200x12-62-4x13-S355-p/tzn	420520	420564	200	100	12	62	15	40	13	2,19
APL 100x200x12-87-4x13-S355-p/tzn	420521	420565	200	100	12	87	15	40	13	2,30
APL 100x200x12-112-4x13-S355-p/tzn	420522	420566	200	100	12	112	15	40	13	2,51
APL 100x200x12-162-4x13-S355-p/tzn	420523	420567	200	100	12	162	15	40	13	2,71
APL 120x300x15-165-4x16-S355-p/tzn	420524	420568	300	120	15	165	20	60	16	5,36
APL 150x150x10-60-4x13-S355-p/tzn	420525	420569	150	150	10	60	30	30	13	2,08
APL 150x150x10-85-4x13-S355-p/tzn	420526	420570	150	150	10	85	30	30	13	2,18
APL 150x150x10-110-4x13-S355-p/tzn	420527	420571	150	150	10	110	30	30	13	2,39
APL 150x150x12-162-4x13-S355-p/tzn	420528	420572	150	150	12	162	30	30	13	2,95
APL 200x200x12-62-4x13-S355-p/tzn	420529	420573	200	200	12	62	40	40	13	4,08
APL 200x200x12-87-4x13-S355-p/tzn	420530	420574	200	200	12	87	40	40	13	4,18
APL 200x200x12-112-4x13-S355-p/tzn	420531	420575	200	200	12	112	40	40	13	4,39
APL 200x200x12-162-4x16-S355-p/tzn	420532	420576	200	200	12	162	40	40	16	4,89
APL 200x300x15-165-4x16-S355-p/tzn	420533	420577	300	200	15	165	40	60	16	8,18
APL 250x250x15-165-4x16-S355-p/tzn	420534	420578	250	250	15	165	40	40	16	8,48
APL 300x300x15-165-4x16-S355-p/tzn	420535	420579	300	300	15	165	60	60	16	11,72

**DEUTSCHLAND**

87700 Memmingen  
+49 (0) 83 31937345  
bautechnik@pfeifer.de

**ÖSTERREICH**

+49 (0) 160 2875039  
austria-bt@pfeifer.de

**SCHWEIZ**

8934 Knonau  
+41 (0) 447 68 5555  
info@pfeifer-isofer.ch

[www.pfeifer.info/bautechnik](http://www.pfeifer.info/bautechnik)

**PFEIFER**