



# Concrete closures

If it needs to be inconspicuous



**PFEIFER**

## Are you looking for an inconspicuous, high-quality closure for PFEIFER recesses?

In many areas of precast constructions the attachment of concrete inserts results in recesses. It is particularly important, for both visual and durability reasons, to close these recesses, in visible areas.

### Application range:

Large attachment recesses  
in the area of thread systems



Recesses through fastening of  
socket dowels with nailing plates



Recesses of Fasteners  
for push-pull props MoFi



## With the PFEIFER Concrete closures you can easily and at the same time economically realize the closure in a concrete look.

If recesses need to be closed as inconspicuously as possible, PFEIFER Concrete closures are suitable. With their appealing and inconspicuous concrete look, the areas of recesses disappear in the overall look of the concrete element. With the geometry of the concrete closures matching the associated recesses, the users are assured of needing little effort.



**Economical closure**



**High visual quality**



**Individual project-related colours possible**



**Rapid availability**



# PFEIFER Cover Plate concrete large

## PFEIFER Cover Plate concrete middle



**PFEIFER**

Thread System

Accessories

Can be used for:

- Recesses with recess/magnetic disc
- Recesses with fixing bolt middle

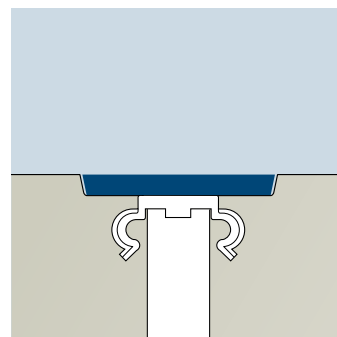
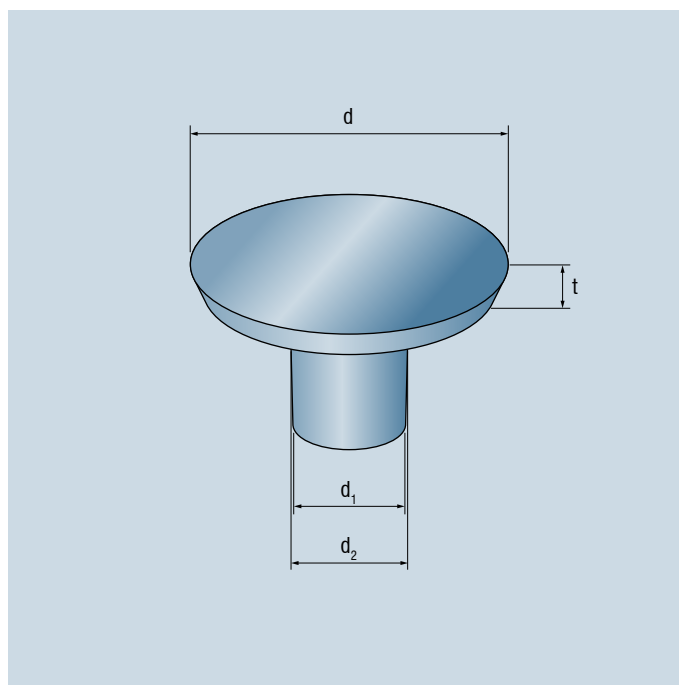
Recesses caused by the formwork fixing of lifting anchors from the thread system can be closed in a visually appealing manner with PFEIFER Cover Plates concrete.

**Advantages:**

- High-quality concrete look
- Time-saving anchor closures

**Material:**

Flowstone, grey



Ref. no.	Type	for size	Dimensions				Packing unit [pieces]	Weight [g/pieces]
			d [mm]	t [mm]	d <sub>1</sub> [mm]	d <sub>2</sub> [mm]		
<b>Cover plate concrete large</b>								
278339	VTM-B-12	Rd 12	49,5	9	8,7	10,5	50	34,0
278340	VTM-B-14	Rd 14	54,5	9	10,5	12,3	50	42,0
278341	VTM-B-16	Rd 16	58,5	9	12,5	14,3	50	50,0
278342	VTM-B-18	Rd 18	61,5	9	14,5	16,3	35	61,0
278343	VTM-B-20	Rd 20	72,5	9	16,3	18,1	35	80,0
278344	VTM-B-24	Rd 24	77,2	11	19,9	21,7	30	116,0
278345	VTM-B-30	Rd 30	93,2	11	25,9	27,7	30	178,0
278346	VTM-B-36	Rd 36	104,2	11	31,4	33,2	15	240,0
278347	VTM-B-42	Rd 42	114,3	14	36,9	38,7	15	390,0
278348	VTM-B-52	Rd 52	134,3	14	45,9	47,7	10	572,0
<b>Cover plate concrete middle</b>								
278350	VTB-B-12	Rd 12	22,5	7,5	8,7	10,5	50	7,0
278351	VTB-B-14	Rd 14	25,5	7,5	10,5	12,3	50	10,0
278352	VTB-B-16	Rd 16	29,0	7,5	12,5	14,3	50	14,0
278353	VTB-B-18	Rd 18	32,4	7,5	14,5	16,3	50	18,0
278354	VTB-B-20	Rd 20	35,5	7,0	16,3	18,1	50	20,0
278355	VTB-B-24	Rd 24	39,0	9,0	19,9	21,7	50	37,0
278356	VTB-B-30	Rd 30	47,6	9,0	25,9	27,7	50	68,0
278357	VTB-B-36	Rd 36	57,7	9,0	31,4	33,2	50	178,0
278358	VTB-B-42	Rd 42	66,2	12,0	36,9	38,7	30	180,0
278359	VTB-B-52	Rd 52	79,2	12,0	45,9	47,7	30	306,0

# PFEIFER External Plate concrete PFEIFER Concrete Plug for MoFi



**PFEIFER**

Fixing Systems

Accessories

Can be used for:

- Recesses with nail disc
- Recesses with plastic/magnet fixing for MoFi

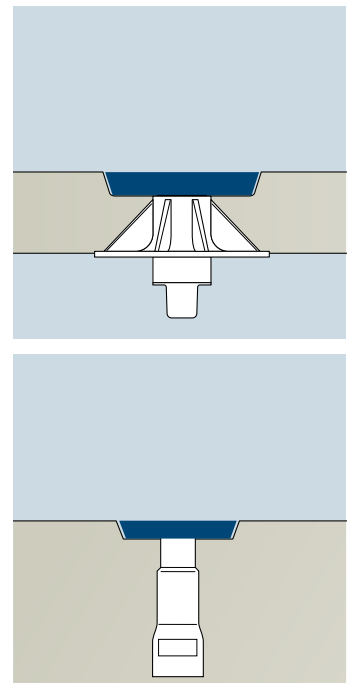
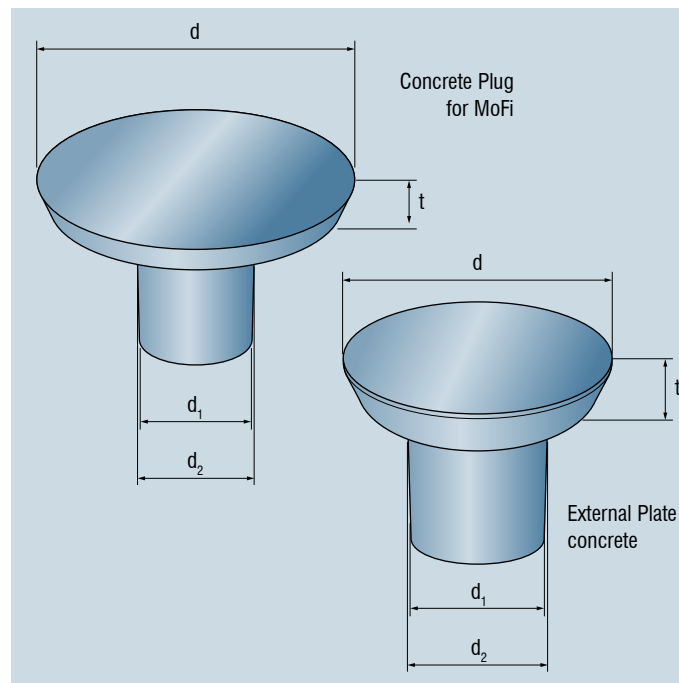
Recesses caused by the formwork fixing of socket dowels and MoFis can be closed in a visually appealing manner with PFEIFER External Plates and Plugs made of concrete.

**Advantages:**

- High-quality concrete look
- Time-saving anchor closures

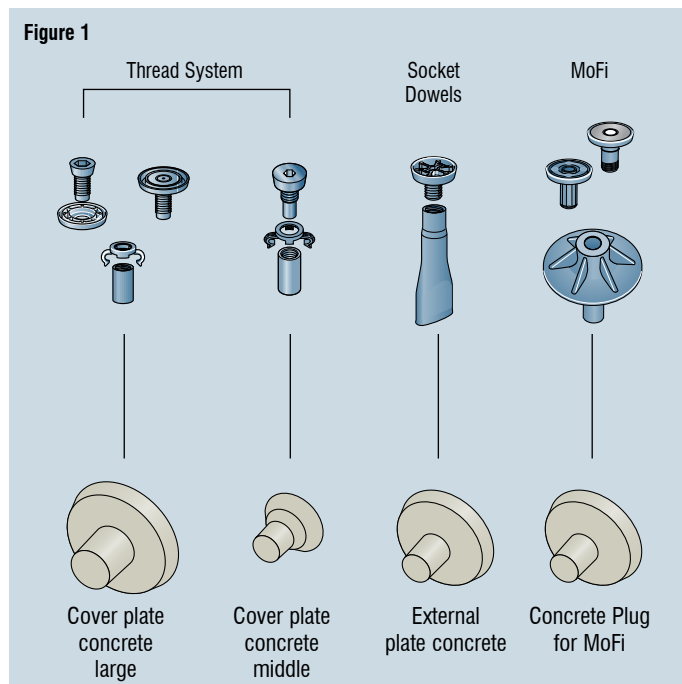
**Material:**

Flowstone, grey



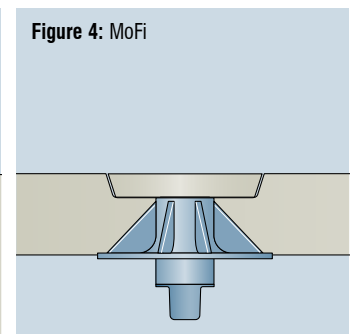
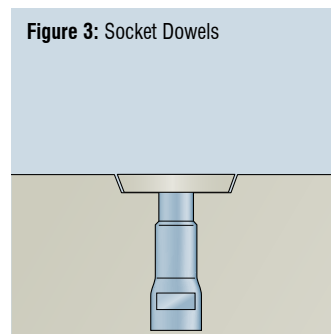
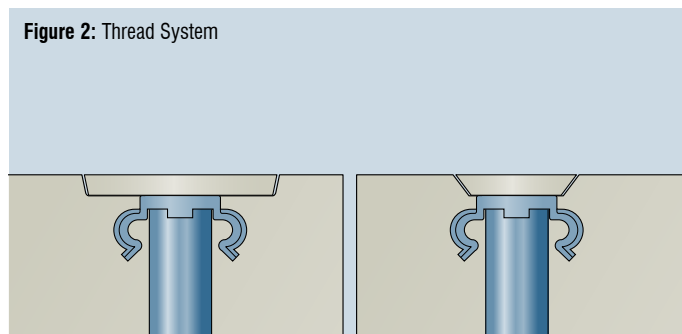
Ref. no.	Type	for size	Dimensions				Packing unit	Weight
			d [mm]	t [mm]	d <sub>1</sub> [mm]	d <sub>2</sub> [mm]		
<b>External plate concrete</b>								
278360	ATN-B-12	M 12	57,0	9	10,3	10,5	50	38,0
278362	ATN-B-16	M 16	57,0	9	13,8	14,3	50	46,0
278363	ATN-B-20	M 20	57,0	9	17,7	18,1	50	52,0
278364	ATN-B-24	M 24	57,0	9	21,6	21,7	50	59,0
278365	ATN-B-30	M 30	57,0	9	26,7	27,7	50	77,0
<b>Concrete Plug for MoFi</b>								
290593	VSTM-B-12	MoFi 12	42,7	7	11,0	12,0	50	20,0
278349	VSTM-B-16	MoFi 16	51,6	7	15,4	16,0	50	36,0

## System description



The PFEIFER Concrete closures were developed for the inconspicuous closure of recessed PFEIFER Anchors. The identical/similar concrete look is intended to create the most homogenous overall impression possible on the surface.

## Intended use



Type assignments			
System	Recess elements	Associated concrete cover cap variant	See
Thread System	Fixing bolt middle	Cover plate concrete middle	Figure 2
Thread System	Fixing bolt combined with the recess disc (plastic or metal) or magnetic disc	Cover plate concrete large	Figure 2
Socket Dowel	Nail Disc	External plate concrete	Figure 3
Fastening for push-pull props	Plastic or magnet fixing for MoFi	Concrete plug	Figure 4



**Notice:**

In general it is recommended to request samples to view in advance, particularly to check the colour scheme.

These parts, made of a special mortar, should be glued into the specified opening/recess. They are supplied as standard in concrete grey (see details in the section "Colour" on page 8). With suitable advance planning and close coordination, special colours can be supplied.

## Installation

Figure 5: Cleaning surface

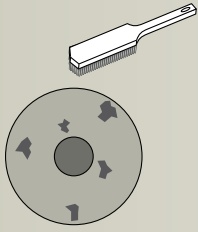


Figure 6: Checking type and size

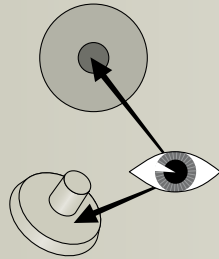


Figure 7: Applying adhesive

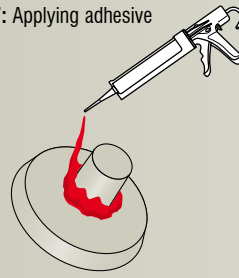


Figure 8: Press in carefully

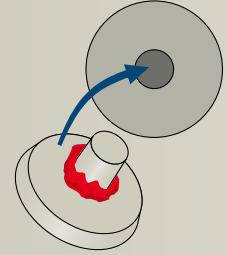
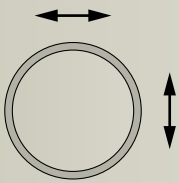


Figure 9: Position centrally



### Caution:

Too much adhesive may cause the excess material to be squeezed out and cause visual confusion. It is important to ensure the amount is suitable and uniformly applied. If there is any doubt, it is helpful to carry out a preliminary trial bonding.



### Notice:

Figures 5 to 9 show the basic installation process of PFEIFER Concrete closures. In general, careful processing and execution is required.



### Notice:

The more carefully the concrete closures is oriented on the longitudinal and transverse axes, the more inconspicuous the items will appear.

# Instructions for installation and use

## Special features

### Colour:

In the standard version all elements are stocked in grey similar to RAL 7044 (Figure 10). The general recommendation is to request a sample in advance for assessment of the colour. Unfortunately, later complaints about the colour cannot be accepted.

In general special colours are possible. For this, appropriate planning for selecting, sampling and manufacture must be scheduled.

### Tolerances:

To cover the usual tolerances, all concrete closures are dimensioned with a tolerance of  $\pm 0.5$  mm (Figure 11).

### Adhesives:

The adhesive used can generally be freely chosen. The suitability of the material remains to the responsibility of the user.



#### Notice:

Some types of adhesive are being tested for their suitability. You can ask PFEIFER about these. This way the correct and most economical adhesive can be defined for each application.

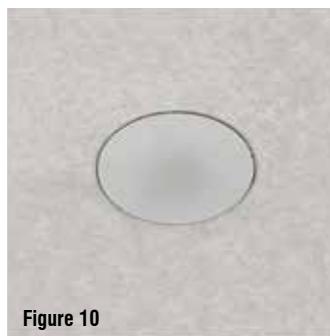


Figure 10



#### Notice:

If there is a risk of water intruding, additional measures are needed (Figure 12 shows problem). For example a permanently elastic, sealing adhesive such as Hybrid TapeTec® bond can be used. A properly implementation is necessary!

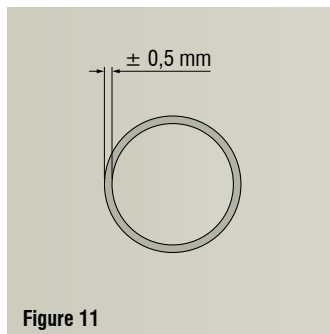


Figure 11



**Attention in case of surface installation: raising caused by frozen water possible!**



Figure 12

### Material properties:

All elements are made with a high-performance mortar FLOWSTONE with the following properties:

- Low in pores, with high impermeability
- Low uptake of dirt
- High resistance to frost and de-icing salt
- High wear resistance

**It is strongly recommended to carry out a trial application as a reference.**

**When doing this, observe/establish the following.**

1.) How much adhesive is required?

2.) What are the visual and technical requirements of the bonding?

3.) Does the adhesive cause any negative visual effects and are they acceptable? If they are not, select a different adhesive and do the trial again.

4.) Is the visual and technical result as desired?

5.) Is there a risk of water intruding into the anchor? Are some additional sealing measures required?

## Storage

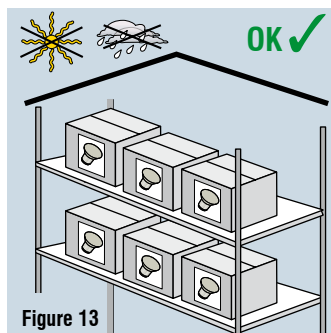


Figure 13

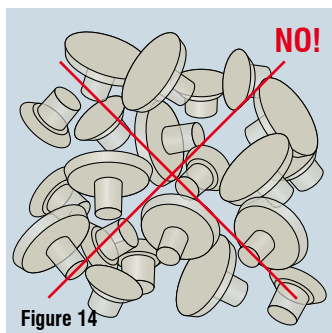


Figure 14



#### Notice:

The concrete closures must be stored dry and protected. Large temperature fluctuations, wetness (humidity) or other influences such as acids, road salt etc. will cause damage or undesirable visual effects to the elements.



## Notes



## Further products for visually high-quality closure

### PFEIFER Cover Plate – stainless steel



for fastenings with magnetic/recess disc

### PFEIFER External Plate – stainless steel



for nail disc

### PFEIFER Cover Cap – shallow – stainless steel V2A



for fastenings with fixing bolt shallow

### PFEIFER Cover Cap – middle – stainless steel V2A



for fastenings with fixing bolt middle

### PFEIFER Cover Cap – deep – stainless steel V2A



for fastenings with fixing bolt deep

### PFEIFER External Cap – small – plastic



for fastenings with fixing bolt headless/shallow

### PFEIFER External Cap – large – plastic



for fastenings with magnetic/recess disc

### PFEIFER Plastic Plug for MoFi



for fastenings with plastic/magnet fixing for MoFi



# PFEIFER

International

Sales

+49 (0) 83 31-937-231

Technical Support

+49 (0) 83 31-937-345

[export-bt@pfeifer.de](mailto:export-bt@pfeifer.de)

[www.pfeifer.info/concrete-inserts](http://www.pfeifer.info/concrete-inserts)

Cover: fotolia © blackdiamond67