



- ▶ PFEIFER clamps
- ▶ Grabs
- ▶ Drum handling devices
- ▶ Spreader beams
- ▶ Technical tips
- ▶ The PFEIFER product centre **new!**

10/2017

## Standard programme – Lifting technology

**PFEIFER**  
**SEIL- UND HEBETECHNIK**  
**GMBH**

DR.-KARL-LENZ-STRASSE 66  
DE-87700 MEMMINGEN

PHONE +49 (0) 8331-937-627

+49 (0) 8331-937-591

FAX +49 (0) 8331-937-375

E-MAIL [verkauf-lt@pfeifer.de](mailto:verkauf-lt@pfeifer.de)

INTERNET [www.pfeifer.info](http://www.pfeifer.info)



## Higher safety and efficiency with lifting devices made by PFEIFER

### Highest safety standards

Our products comply with highest safety standards as we strictly adhere to valid laws and regulations. We check every device individually for EC conformity and establish an individual operating manual. Moreover, device acceptance before delivery is a matter of course for us.

### Qualified production

We dispose of experience for decades in the production of welded and highly durable lifting devices. Our rich experience is also supplemented by the welding certificate EN 1090-EXC3. Our welders are also tested acc. to EN DIN 287. We only process sheets with 3.1 B certificates.

### Made in Germany

Our products are developed and manufactured at 100 % in our headquarters in Memmingen – by qualified staff with highest quality standards.



**Gerhard Pfeifer,**  
President of the PFEIFER group



The PFEIFER group is one of the leading companies for wire ropes, anchoring and lifting systems as well as cable structures and rockfall protection in Europe. The headquarters are located in Memmingen, Germany and distributes through several service centres and subsidiaries in Europe, North America and Asia.

### More than 40 years of experience

For decades, we have been occupied with lifting and transporting goods. Our competences in the area of lifting devices are:

- advice
- development
- manufacture
- testing
- repair

### More than lifting

We unlock potentials lying dormant in lifting devices. We do not only develop products, but also integrate them into your internal transport procedures. We combine latest technology with well-tryed practice and thus create devices which are able for more – more efficiency at work and more safety for the operator.

## Content

PFEIFER-clamps . . . . .	4
Vertical clamps . . . . .	4
Clamps for smooth gripping . . . . .	13
Clamps for horizontal lifting and lifting of girders . . . . .	14
Application guide to lifting clamp models . . . . .	18
Technical tips – operating instructions for PFEIFER lifting clamps . . . . .	19
Grabs . . . . .	20
Rail grabs . . . . .	20
Rod and bar grabs . . . . .	22
Wire coil grabs . . . . .	22
PFEIFER lifting clamps – an all-around perfect service . . . . .	23
Drum handling devices . . . . .	24
Spreader beams . . . . .	26
PFEIFER lifting and turning devices . . . . .	29
Our services . . . . .	30
The PFEIFER product centre . . . . .	31



# Vertical clamps

## PFEIFER clamps Model MPS 1/MPS 2



### Product advantages

- + Functional tool for lifting steel by crane
- + For the transport of sheets, steel plates, girders and structural steel elements
- + With rigid lifting shackle
- + Available with two types of locking systems
- + Also available for stainless steel and extra hard steel sheets

*Every lifting clamp is  
manufactured at the  
PFEIFER headquarters  
in Memmingen!*

### General conditions of usage

- Load clamps for vertical lifting and turning by 180°
- The maximum surface hardness of the load to be transported must not exceed 300 HB.
- Use load clamps in a temperature range from – 20°C to + 100°C (ambient or load temperature)
- The weight of the load must be at least 10% of the specified working load limit of the clamp (100 kg with a clamp with a WLL of 1 tonne).

CE

### Product applications

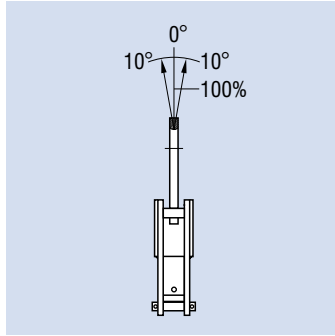
- Vertical lifting and turning by 90°
- Turning by 180°
- Lifting of girders in horizontal position by use in pairs
- Turning of girders



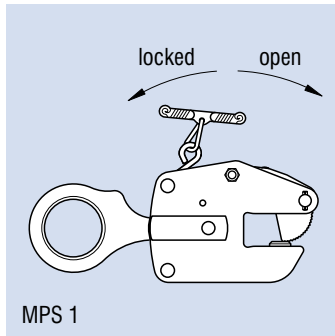
## Product characteristics



**The body is welded.** Perfect protection for the lever mechanism for a long life. Changing any body parts is not necessary!

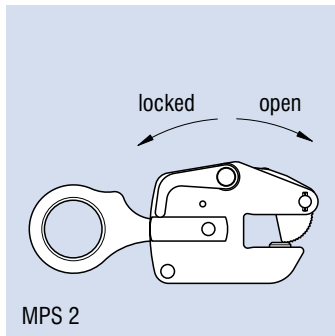


Rigid suspension, max. diagonal pull 10°



MPS 1

**Type MPS 1:** When the locking mechanism is closed, there is a spring tension on the gripping cam, so that the clamp cannot come loose from the load even in case of unintentional release. By opening the locking mechanism and pushing the suspension eye into the body, the clamp can be lifted from the load.



MPS 2

**Type MPS 2:** By opening the locking mechanism, the gripping cam is arrested so that the clamp can be removed from the load without pushing the suspension eye into the body. Advantage: You can easily remove the clamp from the load by crane.

## Product accessories



Each lifting clamp is supplied with a multilingual operating manual acc. to the requirements of the EC Machinery Directive 2006/42/EG.



You can find all the lifting clamps as interactive 3D displays under [www.pfeifer.info/lifting-clamps](http://www.pfeifer.info/lifting-clamps)



Sheets stored in stacks can be separated quickly, easily and safely for attachment by this functional tool. Item No. 121977

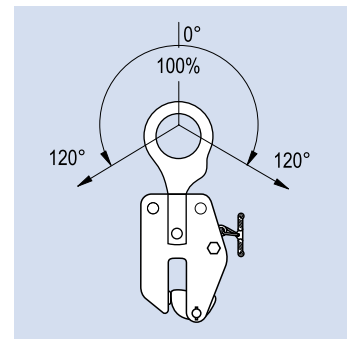


Spare parts for the clamps are available in perfectly formed sets so that wear parts can be exchanged in a practice-orientated way.



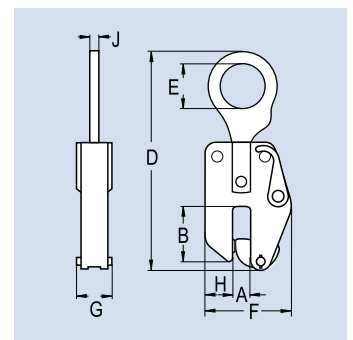
PFEIFER clamps

**PFEIFER clamp  
Model MPS 1  
with rigid lifting shackle  
and lock-closed feature**



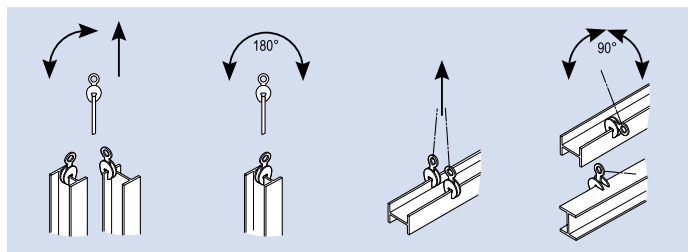
SWL kg	Gripping range A mm	Dimensions in mm							Weight approx. kg	Reference no.
		B	D	E	F	G	H	J		
1000	0-25	65	290	60	125	65	45	12	4,4	166770
1000	25-50	65	290	60	150	65	45	12	4,2	166784
2000	0-30	80	370	70	165	72	55	15	7,5	167539
2000	30-60	80	370	70	195	72	55	15	8,0	167541
3000	5-35	105	490	90	195	86	65	20	12,0	161487
3000	35-70	105	490	90	230	86	65	20	13,8	161488
5000	5-50	115	515	90	240	95	85	20	18,6	162874
5000	50-100	115	515	90	290	95	85	20	19,0	168272

**PFEIFER clamp  
Model MPS 2  
with rigid lifting shackle  
and with lock-open and lock-closed feature**



SWL kg	Gripping range A mm	Dimensions in mm							Weight approx. kg	Reference no.
		B	D	E	F	G	H	J		
1000	0-25	65	290	60	125	65	45	12	4,5	166796
1000	25-50	65	290	60	150	65	45	12	4,2	166798
2000	0-30	80	370	70	165	72	55	15	7,5	167564
2000	30-60	80	370	70	195	72	55	15	8,0	167567
3000	5-35	105	490	90	195	86	65	20	13,3	161505
3000	35-70	105	490	90	230	86	65	20	12,5	161504
5000	5-50	115	515	90	240	95	85	20	18,0	168284
5000	50-100	115	515	90	290	95	85	20	19,0	168287

For the main use of the MPS model series please see the attached drawing and the chart on page 18.



## PFEIFER clamps Model MPC 1/MPC 2



### Product advantages

- +** Functional tool for lifting steel by crane
- +** For the transport of sheets, steel plates, girders and structural steel elements
- +** With pivoting lifting shackle
- +** Available with two types of locking systems
- +** Also available for stainless steel and extra hard steel sheets

*Every lifting clamp is  
manufactured at the  
PFEIFER headquarters  
in Memmingen!*



PFEIFER clamps

### General conditions of usage

- Load clamps for vertical lifting and turning by 180°
- The maximum surface hardness of the load to be transported must not exceed 300HB.
- Use load clamps in a temperature range from - 20°C to + 100°C (ambient or load temperature)
- The weight of the load must be at least 10% of the specified working load limit of the load clamp (100 kg with a clamp with a WLL of 1 tonne).

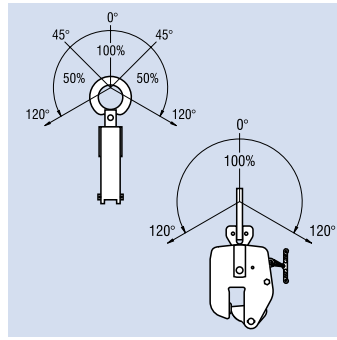
CE

### Product applications

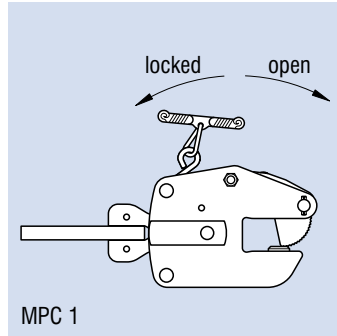
- Vertical lifting and turning by 90°
- Turning by 180°
- Lateral attachment at the sheet
- Turning of girders.



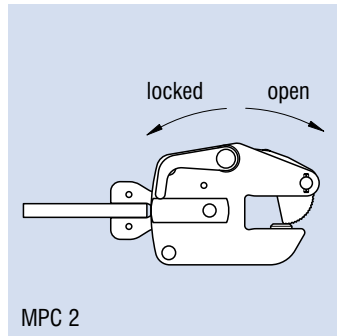
## Product characteristics



The pivoting lifting shackle allows lateral attachment to the sheet.



**Type MPC 1:** When the locking mechanism is closed, there is a spring tension on the gripping cam, so that the clamp cannot come loose from the load even in case of unintentional release. By opening the locking mechanism and pushing the suspension eye into the body, the clamp can be lifted from the load.



**Type MPC 2:** By opening the locking mechanism, the gripping cam is arrested so that the clamp can be removed from the load without pushing the suspension eye into the body. Advantage: You can easily remove the clamp from the load by crane.



**Clamps with special gripping elements for stainless and extra hard steel plates.** Stainless steel gripping elements provide protection against contact corrosion for stainless steel loads and are suitable for a load surface hardness of up to 300 HB. The extra hard gripping elements are suitable for loads with surface hardness from 300 HB up to 450 HB.

## Product accessories



You will find operating manual as well as spare part list in the download centre under [www.pfeifer.info/lifting-clamps](http://www.pfeifer.info/lifting-clamps)



Questions on application? Help available round the clock via online videos at [www.pfeifer.info/lifting-clamps](http://www.pfeifer.info/lifting-clamps)

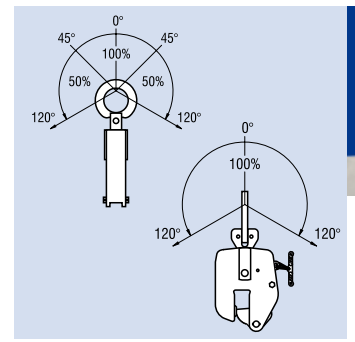


New application poster – all our clamps at a glance!



## PFEIFER clamp Model MPC 1

with pivoting lifting shackle  
and lock-closed feature

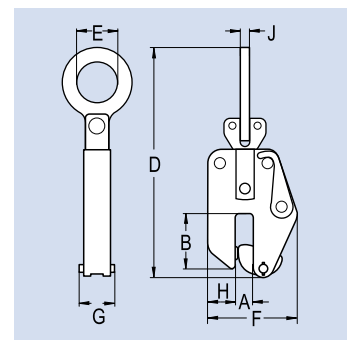


PFEIFER clamps

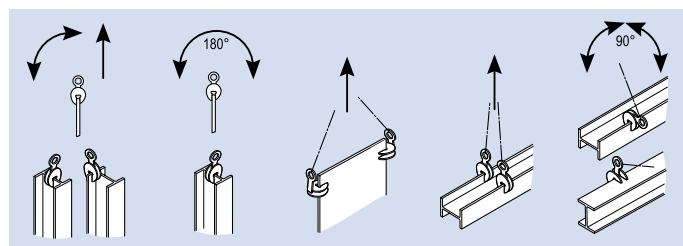
SWL kg	Gripping range A mm	Dimensions in mm							Weight approx. kg	Reference no.
		B	D	E	F	G	H	J		
1000	0-25	65	290	60	125	65	45	12	4,90	166788
1000	25-50	65	290	60	150	65	45	12	4,20	166790
2000	0-30	80	370	70	165	72	55	15	7,82	167546
2000	30-60	80	370	70	195	72	55	15	8,00	167552
3000	5-35	105	490	90	195	86	65	20	12,00	161490
3000	35-70	105	490	90	230	86	65	20	12,50	161491
5000	5-50	115	515	90	240	95	85	20	18,00	163216
5000	50-100	115	515	90	290	95	85	20	19,00	168275

## PFEIFER clamp Model MPC 2

with pivoting lifting shackle  
and with lock-open and lock-closed feature



SWL kg	Gripping range A mm	Dimensions in mm							Weight approx. kg	Reference no.
		B	D	E	F	G	H	J		
1000	0-25	65	290	60	125	65	45	12	5,0	166800
1000	25-50	65	290	60	150	65	45	12	4,8	166802
2000	0-30	80	370	70	165	72	55	15	8,4	167572
2000	30-60	80	370	70	195	72	55	15	8,0	167575
3000	5-35	105	490	90	195	86	65	20	12,0	161512
3000	35-70	105	490	90	230	86	65	20	13,9	161510
5000	5-50	115	515	90	240	95	85	20	22,6	168288
5000	50-100	115	515	90	290	95	85	20	19,0	168289



For main use of the MPC model series please see the attached drawing and the chart on page 18.

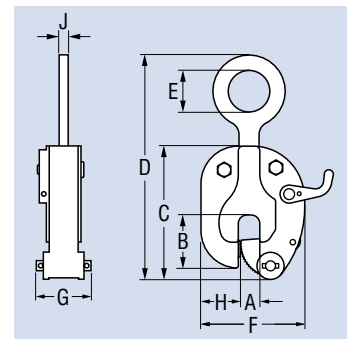
# PFEIFER clamp Model G 2

## for heavy-duty lifting

Extremely sturdy and capable for lifts up to 100 tonnes.  
Suitable for the vertical lifting and 90° turning of sheets, steel plates, girders and structural steel elements.

The lifting clamp incorporates the look-open and lock-closed feature. After relieving and securing the load, the clamp can be lifted off with a crane.

*for heavy loads*



SWL kg	Gripping range A mm	Dimensions in mm								Weight approx. kg	Reference no.
		B	C	D	E	F	G	H	J		
4000	0-25	90	254	432	92	215	97	70	19	14,0	121381
4000	19-38	90	254	432	92	230	97	70	19	14,3	121391
4000	32-51	90	254	432	92	241	97	70	19	15,0	121392
4000	44-64	90	254	432	92	254	97	70	19	16,0	121393
6300	0-32	117	292	495	92	243	121	87	19	18,3	121394
6300	25-51	117	292	495	92	262	121	87	19	19,0	121406
6300	44-70	117	292	495	92	281	121	87	19	21,0	121407
6300	64-89	117	292	495	92	300	121	87	19	24,0	121409
6300	83-108	117	292	495	92	320	121	87	19	27,0	121410
10000	0-38	114	354	572	95	260	137	84	25	32,0	121411
10000	25-51	114	354	572	95	273	137	84	25	33,0	121423
10000	51-76	114	354	572	95	298	137	84	25	35,0	121424
10000	70-102	114	354	572	95	324	137	84	25	37,0	121425
10000	95-127	114	354	572	95	350	137	84	25	35,3	121426
12000	0-64	166	457	711	98	345	168	98	45	63,0	121427
12000	51-102	166	457	711	98	383	168	98	45	65,0	121439
12000	102-152	166	457	711	98	433	168	98	45	68,0	121440
12000	140-191	166	457	711	98	472	168	98	45	73,0	121441
20000	13-76	188	578	900	125	432	216	127	64	120,0	121442
20000	76-127	188	578	900	125	483	216	127	64	133,0	121454
20000	127-178	188	578	900	125	534	216	127	64	147,0	121455
20000	178-229	188	578	900	125	585	216	127	64	155,0	121456

## PFEIFER clamp Model CA

with pivoting lifting shackle and clever pressure distribution

The large cam jaw enables wide pressure distribution and thus guarantees careful handling of your sensitive goods.

For vertical lifting and 180° turning of sheets, steel plates, girders and structural steel elements.

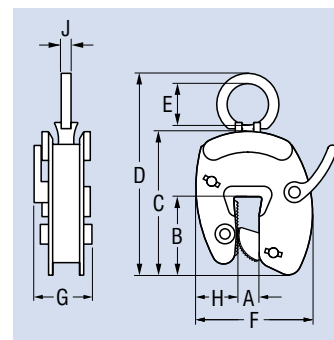
The pivoting shackle enables easy handling due to unmatched attachment angles.

The lifting clamp incorporates the look-open and lock-closed feature.

After relieving and securing the load, the clamp can be lifted off with a crane.



CE



PFEIFER clamps

SWL kg	Gripping range A mm	Dimensions in mm								Weight approx. kg	Reference no.
		B	C	D	E	F	G	H	J		
3200	3-35	130	280	415	80	215	110	80	19	13	120813
3200	35-70	130	280	415	80	245	110	68	19	14	120863
5000	5-45	145	350	510	90	300	120	100	19	25	120868
5000	45-85	145	350	510	90	335	120	80	19	27	120907
8000	10-65	205	430	610	90	350	140	120	32	41	120915
8000	65-120	205	430	610	90	400	140	105	32	43	120955

Available up to an SWL of 12to.

## PFEIFER clamp Model CS

with pivoting lifting shackle

Lifting clamp with universal joint and safety device, lock-closed feature.

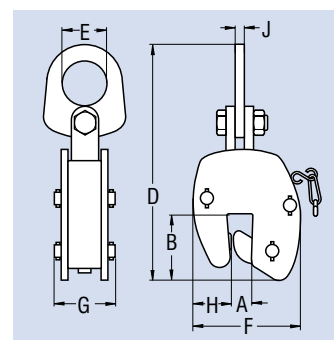
The lock-closed feature also holds the clamp tight when the load is unintentionally released.

Suitable for the vertical lifting and 180° turning of sheets and girders.

The pivoting shackle enables easy handling due to unmatched attachment angles. Even lateral attachment to the load is allowed.



CE

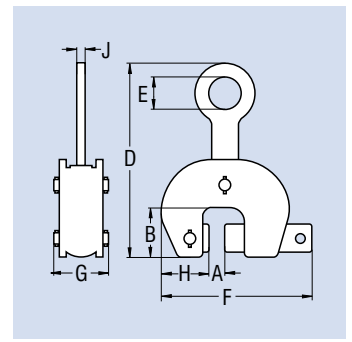


SWL kg	Gripping range A mm	Dimensions in mm							Weight approx. kg	Reference no.
		B	D	E	F	G	H	J		
500	0-15	50	220	43	100	56	32	9,5	1,3	121047
500	15-30	50	220	43	115	56	32	9,5	1,5	121053

## PFEIFER clamp Model SCP



Screw clamp for vertical lifting and 180° turning of metal items of all kinds.  
Max. surface hardness of the load 300HB.  
Equipped with a pivoting cam jaw.  
Particularly suited for use with rolling and edging machines.

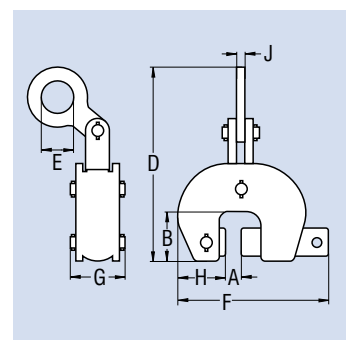


SWL kg	Gripping range A mm	Dimensions in mm							Weight approx. kg	Reference no.
		B	D	E	F	G	H	J		
500	0-19	60	229	60	168	60	48	13	3,5	121147
1500	0-32	73	268	67	214	86	60	16	6,5	121156
3000	0-51	79	305	60	275	104	71	19	8,5	121165
6000	0-64	110	394	76	341	137	87	25	20,0	121174
10000	0-76	140	489	83	416	171	112	25	42,0	121183
15000	0-102	184	581	95	552	210	141	32	95,0	135082

## PFEIFER clamp Model SCPA



Screw clamp with pivoting suspension eye, for vertical lifting and 180° turning of metal items of all kinds.  
Max. surface hardness of the load 300HB.  
Equipped with a pivoting cam jaw.  
Particularly suited for use with rolling and edging machines, and for lateral attachment to the load.



SWL kg	Gripping range A mm	Dimensions in mm							Weight approx. kg	Reference no.
		B	D	E	F	G	H	J		
500	0-19	60	284	60	168	60	48	13	3,5	121185
1500	0-32	73	346	67	214	86	60	16	6,5	121194
3000	0-51	79	354	60	275	104	71	19	8,5	121203
6000	0-64	110	484	76	341	137	87	25	25,3	121212
10000	0-76	140	680	83	416	171	112	25	42,0	121221
15000	0-102	184	581	95	552	210	141	32	95,0	135083

# Clamps for smooth gripping

For materials with sensitive surfaces

- ▶ A non-marring grab works frictionally engaged. The contact surfaces are not damaged.
- ▶ For various materials such as stainless steel, plastic and chipboards
- ▶ Suitable for the vertical lifting and 90° turning.

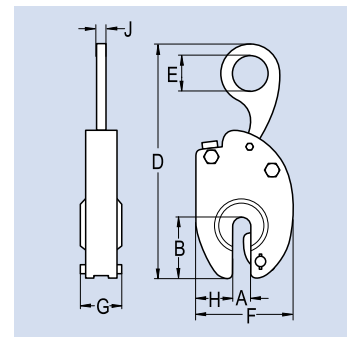


PFEIFER clamps

## PFEIFER clamp Model NM



Lifting clamp with large, smooth gripping pads for metals which have sensitive surfaces or which are hard. Suitable for the vertical lifting and 90° turning. The jaw can be pre-adjusted to any gripping range using an adjusting screw. After attachment, the adjusting screw must be tightened. The load surfaces must be clean, dry and free of lubrication grease.

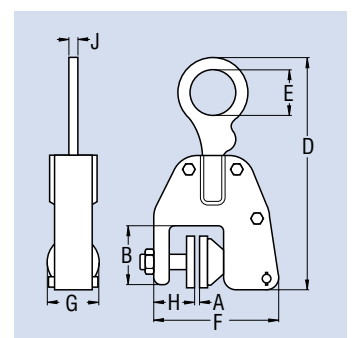


SWL kg	Gripping range A mm	Dimensions in mm							Weight approx. kg	Reference no.
		B	D	E	F	G	H	J		
1000	0-19	116	346	60	150	81	60	16	8,0	121550
1000	19-32	116	346	60	162	81	60	16	9,0	121563
2000	0-25	131	406	79	171	95	73	16	10,3	121567
2000	19-38	131	406	79	184	95	73	16	11,0	121579
4000	6-40	137	470	75	197	114	75	25	20,5	121584
4000	40-72	137	470	75	235	114	75	25	23,0	121596
4000	76-108	137	470	75	266	114	75	25	25,0	121598

## PFEIFER lifting clamp Model SP



Vertical turning lifting clamp with safety device, lock-closed feature. Suitable for the lifting and 90° turning of materials with sensitive surfaces (stainless steel, plastic and particle boards etc. – not for polished surfaces!). The specially coated gripping pads can be continuously adjusted with an adjusting screw.



SWL kg	Gripping range A mm	Dimensions in mm							Weight approx. kg	Reference no.
		B	D	E	F	G	H	J		
300	0-30	75	290	60	200	66	70	13	4,7	121366
300	6-45	75	290	60	200	66	70	13	4,5	121367

# Clamps for horizontal lifting and lifting of girders

## PFEIFER clamp Model M



### Product advantages

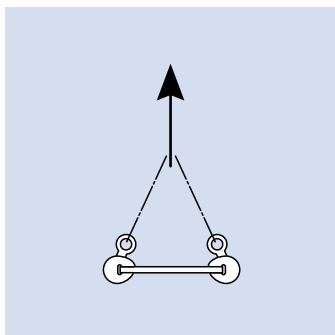
- + Lifting clamp for lifting sheets and girders in horizontal position
- + Most versatile
- + With locking mechanism
- + High carrying capacity and wear-resistance
- + Also for the transport of thin, slagging sheets
- + Highest safety standard

### General conditions of usage

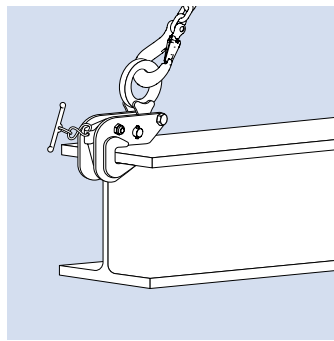
- Load clamp for horizontal lifting (sheets and girders in horizontal position)
- Use load clamps in a temperature range from  $-20^{\circ}\text{C}$  to  $+100^{\circ}\text{C}$
- The maximum surface hardness of the load to be transported must not exceed 300 HB.



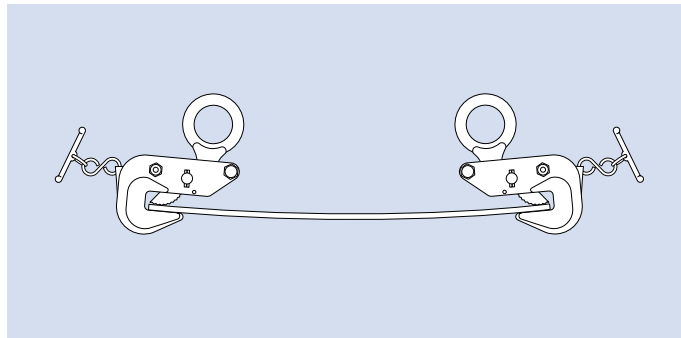
### Product applications



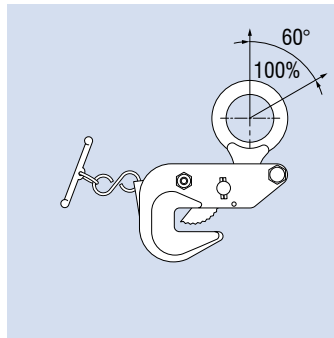
## Product characteristics



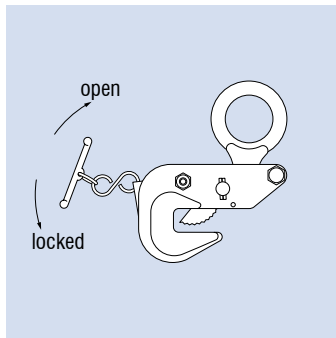
The wide, split lower jaw is particularly suitable for gripping steel girders, regardless of whether from the side or the end.



The cam position also allows safe lifting of thin sheets.



Diagonal pull angle 0 – 60° at 100% working load limit



Lock-closed feature for simple attachment to the sheet and safe transport even in case of unintentional release

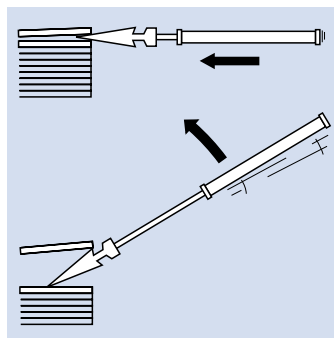
## Product accessories



You will find all lifting clamps as an interactive 3D display under [www.pfeifer.info/lifting-clamps](http://www.pfeifer.info/lifting-clamps)



Sheets stored in stacks can be separated quickly, easily and safely for attachment by this functional tool.  
Item No. 121977



PFEIFER clamps

## PFEIFER clamp Model M



Horizontal lifting clamp for inherent sheets as well as for thin, slagging steel plates.

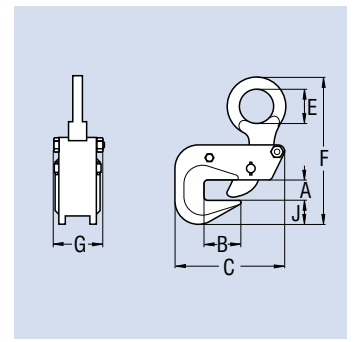
Also perfect for the lifting of stacks of sheets and sections.

The wide, split lower jaw is particularly suitable for gripping steel girders, regardless of whether from the side or the end.

With lock-closed feature for safe transport and simple attachment.

**Used for handling girders in pairs, for handling sheets and bundles of sheets slings with three clamps or more.**

**With longer loads, we recommend using a spreader beam.**



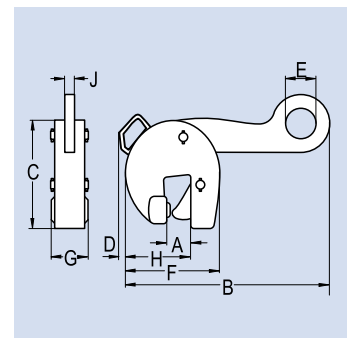
SWL kg	Gripping range A mm	Dimensions in mm						Weight approx. kg	Reference no.
		B	C	E	F	G	J		
500	0-25	59	180	57	225	70	37	3,38	121457
500	19-38	59	180	57	238	70	37	4,00	121468
1000	0-25	63	292	57	241	70	48	5,00	121469
1000	19-38	63	292	57	254	70	48	5,00	121481
1000	32-51	63	292	57	267	70	48	6,00	121482
2000	0-32	81	333	78	310	98	51	9,70	121483
2000	25-51	81	333	78	329	98	51	10,00	121495
2000	44-70	81	333	78	348	98	51	11,00	121496
4000	0-38	97	378	92	380	111	70	16,00	121497
4000	32-64	97	378	92	406	111	70	17,00	121509
4000	57-89	97	378	92	431	111	70	19,00	121510
8000	0-51	125	520	102	510	133	102	44,00	121511
8000	44-89	125	520	102	548	133	102	45,00	121522
8000	83-127	125	520	102	586	133	102	50,00	121523

## PFEIFER clamp Model AST-S



Lifting/turning clamp with serrated gripping cams and safety device, lock-closed feature.

Holds the girder almost horizontally in both directions. It facilitates the turning process when the lifting shackle is arranged outside the girder.



SWL kg	Gripping range A mm	Dimensions in mm								Weight approx. kg	Reference no.
		B	C	D	E	F	G	H	J		
500	0-19	281	170	26	44	152	45	90	13	4	190904
1500	0-19	337	216	35	64	178	57	100	16	9	190920
3000	0-38	527	318	43	95	279	85	170	19	24	190923



## PFEIFER clamp Model HS



Horizontal lifting clamp for handling inherently stacked bundles of sheets and steel plates.

The lifting clamps are fastened to suitable slings (which we also supply on request) and attached at three or more points on the load being handled.

**With longer loads, we recommend using a spreader beam.**



PFEIFER clamps

SWL kg	Gripping range A mm	Dimensions in mm				Weight approx. kg	Reference no.
		D	E	F	H		
250	0-25	10	25	60	60	2,0	274490
500	0-51	15	36	100	130	6,0	274269
750	0-51	15	36	105	160	9,4	274270
1500	0-51	20	36	105	160	11,5	274271
3000	0-51	50	36	105	160	13,0	274272
4000	0-65	59	36	159	165	20,5	274273

## PFEIFER clamp Model WHS

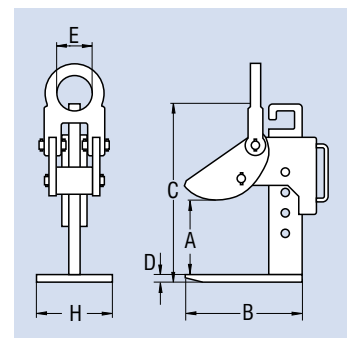


High-performance horizontal lifting clamp for transporting dimensionally stable sheets and sheet stacks.

Its particular advantage: using a locking pin, the gripping range can be quickly changed from 0 to a maximum of 406 mm.

Integrated springs hold the gripping cams open and facilitate attachment.

The lifting clamps are fastened to suitable slings (which we also supply on request) and attached at three or more points on the load being handled.



**With longer loads, we recommend using a spreader beam.**

SWL kg	Gripping range A mm	Dimensions in mm					Weight approx. kg	Reference no.
		B	C	D	E	H		
500	0-152	275	360	16	89	213	20	121853
500	0-305	330	587	16	89	213	28	121865
500	0-406	330	691	16	89	213	29	121866
1500	0-152	275	364	19	89	213	29	121867
1500	0-305	330	591	19	89	213	40	121879
1500	0-406	330	694	19	89	213	46	121880

## More Beam Clamps

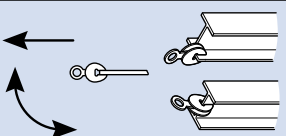
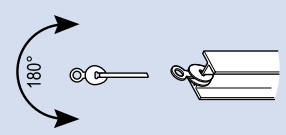
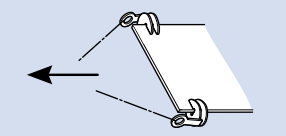
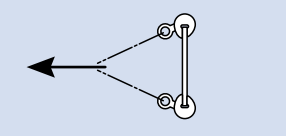
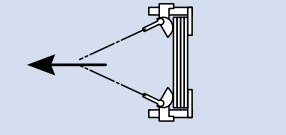
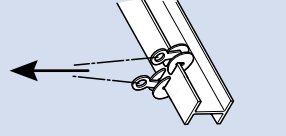
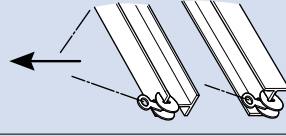
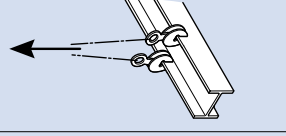
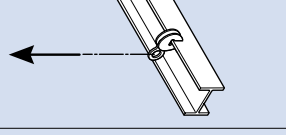
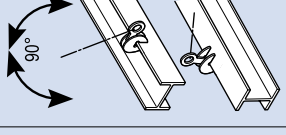
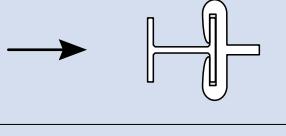


Simply ask us!

### Model B1 and B2

Mounting clamp for suspension of hoists and other lifting equipment.

# Application guide to lifting clamp models

	vertical lifting 90° turning	vertical lifting 180° turning	lateral attachment, vertical lifting	horizontal transport, dimensionally stable sheets	horizontal transport, dimensionally stable sheets, stacks of sheets	horizontal transport of standing girders	horizontal transport of lateral attached girders	horizontal transport of lying girders attachment	horizontal transport of lying girders	girders 90° turning	fixed suspension eye overhead girders
											
G2	•	•						•		•	
MPC1, MPC2, CA, CS	•	•	•					•		•	
MPS1, MPS2	•	•						•		•	
SCP	•	•						•		•	
SCPA	•	•	•					•		•	
HS, WHS				•	•						
M				•	•	•					
AST-S									•		
NM, SP		•									
B1, B2											•

see page

# Technical tips – operating instructions for PFEIFER lifting clamps\*



## CORRECT - That's how it works



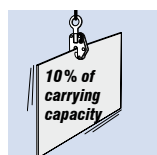
In all cases, read the operating instructions before first use of a clamp.

Attend our specialist seminars to teach your users and responsible people.

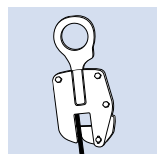


Before any use test the clamp for function, damage and wear.

Never use overloaded or worn clamps. The clamps must be inspected by a specialist person in periods of max. 12 months.

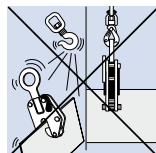


Clamps for vertical lifting need a minimum load weight of 10% of the nominal carrying capacity.

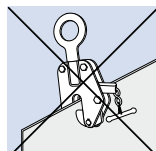


Check the surface hardness of your load. Up to 300HB you can use standard clamps. From 300HB to 450HB you will have to use extra-hard gripping elements.

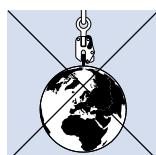
## WRONG - never do it this way



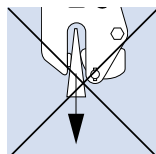
**Never** use hooks without safety catch. Use safety hooks.



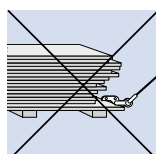
**Never** lift a load with unlocked safety mechanism. Always lock the safety mechanism.



**Never** overload your clamps. In any case, use the clamps within the carrying capacity given.

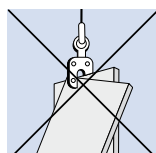


**Only** attach the clamps to plane parallel surfaces.

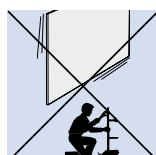


**Never** tear single loads from the bottom of a stack of sheets.

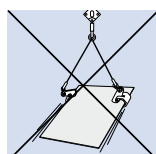
**Never** tear away jammed loads.



In vertical lifting, **never** lift more than one sheet!



**Never** lift loads above persons or safety areas!



**Never** use too few clamps in order not to endanger load stability!

\*Please mind further instructions in our operating manual.

# Grabs

## Rail grabs

### Model SZA and Model SZ



#### Product advantages

- + Grabs for lifting different types of rail sizes
- + Also suitable for lengthwise and crosswise pull
- + With locking mechanism
- + Very solid, practical design with low dead weight
- + With a 3-year warranty (except wear parts)

#### General conditions of usage

- For lifting, lengthwise and crosswise pulling of rails
- As each grab is suitable for a given set of rail profiles, it may only be used for compatible rail profiles.
- Grab to be used within temperature range  $-20^{\circ}\text{C}$  to  $+100^{\circ}\text{C}$

#### Product applications



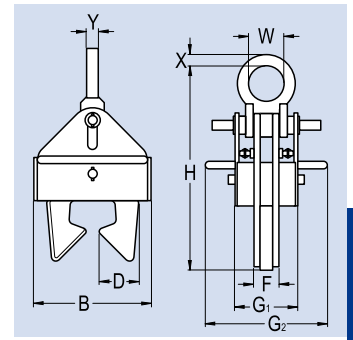
## Automatic rail grab Model SZA

For lifting and pulling rails lengthways and crossways.  
After placing the grab on the load, it locks automatically (in compliance with TBG requirements).

**Always attach the grab above the load centre of gravity.  
With longer loads, we recommend using two or more grabs.**

CE

*The gripper with know-how*



SWL kg	For rail size	Dimensions in mm								Weight approx. kg	Reference no.
		D	F	G	H <sub>min</sub>	H <sub>max</sub>	W	X	Y		
2000	S49, S54, S60s, UIC60	85	42	106	270	350	60	20	20	12	178196
4000	S49, S54, S60s, UIC60	90	60	127	285	365	65	23	25	17	185063

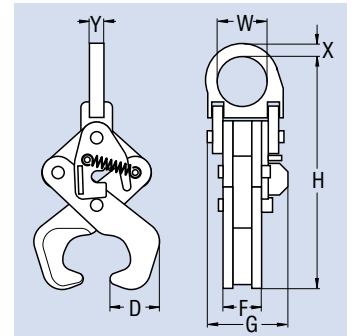
## Rail grab Model SZ

For lifting and pulling rails lengthways and crossways.  
Safety device with double function: For holding open and locking under load in order to hold rails securely, even when they are overturning, i. e. the grab cannot open accidentally.

**Always attach the grab above the load centre of gravity.  
With longer loads, we recommend using two or more grabs.**

CE

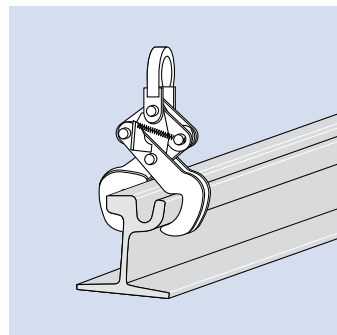
*Enables crosswise and longitudinal pull*



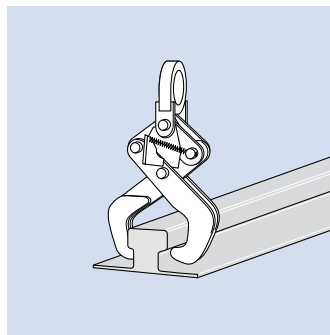
SWL kg	For rail size	Dimensions in mm								Weight approx. kg	Reference no.
		D	F	G	H <sub>min</sub>	H <sub>max</sub>	W	X	Y		
2000	S49, S54, S60s, UIC60	50	51	105	242	302	60	18	19	7,8	114052
2000	Ri45, Ri60 NP4a, NP4, 60R3, 63R1	80	51	105	290	350	60	18	19	9,5	149418
2000	A75, A100, A120	70	51	105	260	320	60	18	19	9,0	162756
4000	S49, S54, S60s, UIC60	80	76	150	320	410	76	31	25	22,0	114062

## ... Rail grabs now also for grooved rails and crane rails!

Available also for the following rail sizes:



**Grooved rails** – Type PH37, PH37a BA75 and G51



**Crane rails** – Type A45, A55, A65



**Rail grabs for other rail sizes on request!**

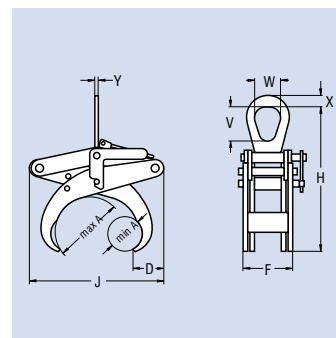
Grabs

## Rod and bar grab



For horizontal transport of round materials of all kinds.  
 Heavy-duty double-scissor design with safety latch.  
 Very small external footprint thanks to a new internal contour whose 4-point clamping prevents the load from seesawing.  
 Self-acting latched hold-open lever, locking spring stirrup with handle for securing the grab against opening accidentally when the load on the grab is released.  
 For design-related reasons, grabs with part no. 114040 and 114049 are supplied without safety device.

**Always attach the grab above the load centre of gravity.**  
**With longer loads, we recommend using two or more grabs.**

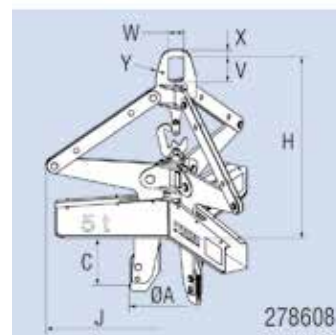
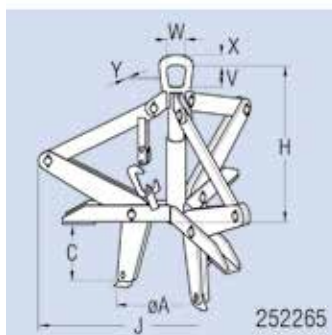


SWL kg	Dimensions in mm											Weight approx. kg	Reference no.
	A <sub>min</sub>	A <sub>max</sub>	D	F	H <sub>min</sub>	H <sub>max</sub>	J	V	W	X	Y		
500	50	100	42	140	300	410	220	100	77	31	10	8,23	114040
500	100	200	65	140	430	630	400	100	77	31	10	17,50	114041
500	200	400	95	150	730	1100	740	122	80	40	10	39,00	114043
1000	100	200	65	150	430	630	400	100	77	31	10	21,22	114045
1000	200	400	95	160	730	1110	740	122	80	40	10	48,00	114046
2000	150	300	110	160	610	895	620	122	80	40	15	56,00	114048
2000	300	600	170	160	1030	1590	1130	122	80	40	15	115,00	114049

## Wire coil grab



Mechanically operated triple-arm lifting grab, closes under load, with automatic hold-open device.  
 For transport of form stable, strapped wire coils, reinforcing steel coils, etc. with vertical axis.  
 Lever design, with load-dependent clamping force. Gripping pads in toothed design for safe transport.  
 Automatic hold-open device  
 Suspension eye for suitable single hook according to DIN 15401  
 5,000 kgs – design with larger gripping range, new hold-open device and innovative gripping claws.



SWL kg	Dimensions in mm										Weight approx. kg	Reference no.
	A <sub>min</sub>	A <sub>max</sub>	C	H	J <sub>min</sub>	J <sub>max</sub>	V	W	X	Y		
3000	550	700	230	960	510	630	105	82	35	20	110	252265
5000	500	950	310	1000	660	716	150	85	40	20	320	278608

# PFEIFER Lifting Clamps – an all-around perfect service



## + Guarantee

PFEIFER grants a guarantee of 3 years to end users (except for wear parts) without having to complete expensive maintenance contracts.

## + Inspection and service

- In addition, PFEIFER offers free works inspection for 5 years after date of purchase (freight and repair costs are charged)
- For their safe operation, lifting clamps must be inspected in regular intervals. Our inspection service takes over your responsibility. We inspect, repair, and certify also on your premises.

## + Operating manual

Read operating manual before each operation!

**You can find all the operating manuals directly at the product and free of charge on the internet at:**

→ [www.pfeifer.info/lifting-clamps](http://www.pfeifer.info/lifting-clamps)



Spare Part Set MPS 1	
1	Gripping Elements
2	Pins
3	Safety Lock
4	Lifting Shackle
5	Spring* * Set of 5 Lock Springs

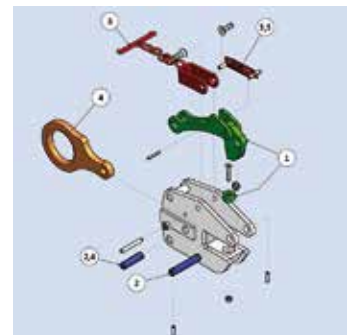
## + Spare parts

There are individual spare part sets for all clamp models. Thus, defect parts can be exchanged as a set of components: A further example is the MPC 1 with lock closed feature.

Please see the item numbers of the spare parts from the list on the internet.

**You can find all the spare part lists directly at the product and free of charge on the internet at:**

→ [www.pfeifer.info/spare-parts-lifting-clamps](http://www.pfeifer.info/spare-parts-lifting-clamps)



## + Workshops

PFEIFER supports you in training your staff by practice-orientated application seminars.

**More information under:**

[sales@ropeandtackle.com](mailto:sales@ropeandtackle.com) or call:

🇬🇧 +44 (0) 2380-665470



**new!** Load lifting and turning devices on the PFEIFER web portal



Experience more on products & services!

→ [www.pfeifer.info/lift-and-turn](http://www.pfeifer.info/lift-and-turn)

## + Useful tips

**This is how to use your lifting clamps efficiently:**

- Correct operation by trained staff
- Regular visual and functional inspection by qualified persons
- Replace wear parts by purchasing original spare part sets

# Drum handling devices

- ▶ We offer a sophisticated and highly practical range of products.
- ▶ The variety of drum equipment offers the suitable device for each application.
- ▶ Some drum handling devices can also be used with fork lifts.
- ▶ High-quality design simple and safe to operate

The PFEIFER drum handling devices have been approved by our customers and are suitable for any application.

For the transport by crane hook or fork lifter, for lifting and turning (overturning) of vertically positioned drums, for steel or plastic drums – find the appropriate device for each application!

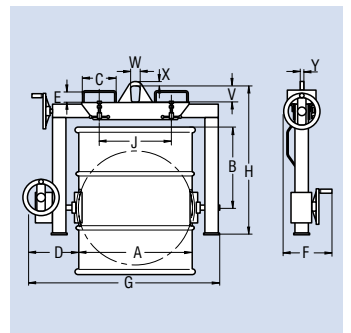
*Still unsure? - Please send us the drawing of your drum!*



## Drum turn over grab

For transporting and turning (tipping over) inherently stable metal drums with rolling hoops or rolling channels and closed lid or spout. The drums can be in an upright or horizontal position. The drums can be lifted up from all positions and turned in any position due to a self-locking worm drive.

for drum	mm	400–620
<b>SWL</b>	kg	300
Weight	kg	93
<b>Reference no.</b>		<b>114204</b>



Dimensions in mm		
A 400–620	B 450	C 200
D 350	E 75	F 350
G 1000–1200	H 840	J 450
V 100	W 50	X 20
Y 20		



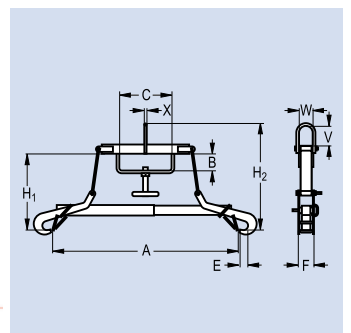
## Drum gripper

For transport of vertical inherently stable steel drums (with lid) and L-ring plastic drums.

for drum	mm	420–640
<b>SWL</b>	kg	250
Weight	kg	4,4
<b>Reference no.</b>		<b>173981</b>



*A competitively priced all-rounder*



Dimensions in mm		
A Ø420	B 60	C 185
E 20	F 53	H1 250
H2 340	V 58	W 50
X 8		



## Drum grab



For upright, inherently stable metal and L-ring plastic drums with lid and rim.  
Also suitable for use with tightly stacked drums.

For custom-made products with hold-open device please consult PFEIFER

Available in the following versions:

- for upright drums
- for horizontal drums



Option for	SWL kg	for drum Ø	for drum length	Suspension B x H	Weight approx. kg	Reference no.
		mm				
upright drums	500	390–650		60 x 60	4,7	<b>114172</b>
horizontal drums	500	—	650–950	60 x 60	8,0	<b>114173</b>

## Clamp claw gripper



Mechanically working four-arm grab for lifting upright, inherently stable drums.  
Simple one-hand operation by horizontal guiding tube and self-locking safety catch.

Unlocking by releasing the safety catch at the horizontal guiding tube.

Available in the following versions:

- Clamp claw gripper for plastic drums: suitable for 120-litre plastic drums with high or low lid
- Clamp claw gripper for steel drums: suitable for 200-litre steel drums with lid



Option for	SWL kg	for drum Ø	Suspension B x H	Weight approx. kg	Reference no.
		mm			
Plastic drums	360	395–450	50 x 70	8	<b>179947</b>
Steel drums	800	570–630	60 x 85	14	<b>212863</b>

## PFEIFER vertical barrel clamp



Clamp undergripping at the lower drum edge for lifting upright, inherent metal drums with rim (with or without lid). The steel collar is fitted around the drum by a pivot lever. The gripping diameter can be altered by an adjusting screw.

Available in the following versions:

- Vertical drum clamp PFEIFER 300 S1: suitable for drum diameters from 390 – 415mm.
- Vertical drum clamp PFEIFER 300 S2: suitable for drum diameters from 560 – 610mm



Option for	SWL kg	for drum Ø	Suspension B x H	Weight approx. kg	Reference no.
		mm			
small diameters	800	390–415	90 x 100	9	<b>121921</b>
large diameters	800	560–610	80 x 130	9	<b>121923</b>

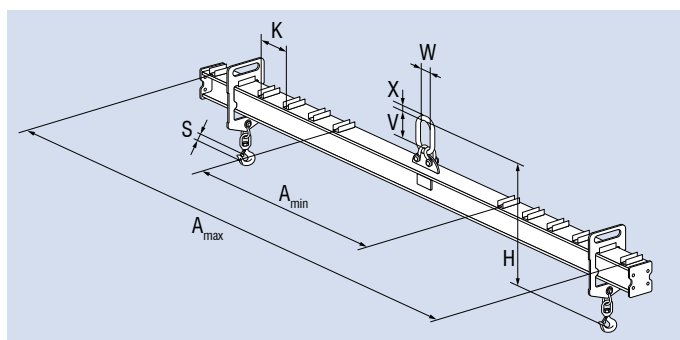
Drum handling devices

# Spreader beams

## Adjustable spreader beams Alpha



- ▶ Simple and proven design for universal application.
- ▶ Attachment of diverse loads possible by manually adjustable attachment lugs in pre-defined grids.
- ▶ With suspension suitable for a single crane hook as per DIN 15401 and with two adjustable swivel eye hooks for attachment to the load.
- ▶ Designed in accordance with DIN 13155 for 20,000 load cycles. Higher load cycles on enquiry!

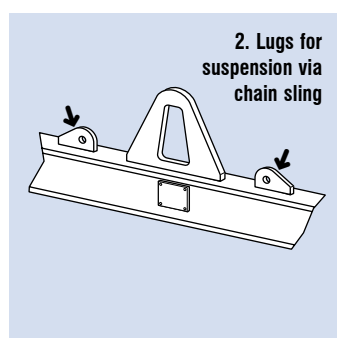
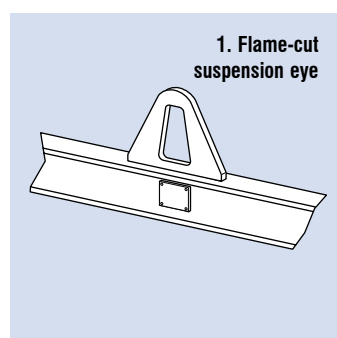


Multi-adjustable spreader beam for the transport of the most diverse loads.

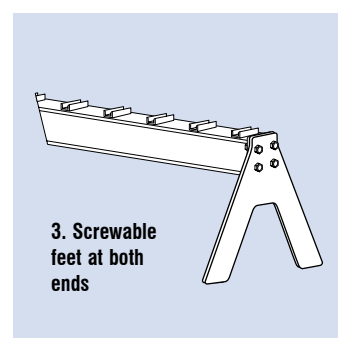
SWL kg	Dimensions in mm				Weight approx. kg	Reference no.	Suspension Ring Dimensions in mm				Single Crane Hook till No.
	A <sub>max</sub>	A <sub>min</sub>	K	S			H	V	W	Ø X	
1000	1000	400	150	22	34	270061	533	120	70	14	4
1000	1600	700	150	22	46	270062	533	120	70	14	4
1000	2500	1000	150	22	64	270063	533	120	70	14	4
1600	1600	800	200	22	57	270064	534	120	70	14	4
1600	2500	900	200	22	82	270065	534	120	70	14	4
1600	3150	1150	200	22	100	270066	534	120	70	14	4
2500	2000	800	200	22	121	270067	589	140	80	16	5
2500	3000	1000	200	22	164	270068	589	140	80	16	5
2500	4000	1200	200	22	207	270069	589	140	80	16	5
2500	5000	1400	200	22	250	270070	589	140	80	16	5
4000	2500	1000	250	23	244	270071	768	135	75	19	5
4000	4000	1000	250	23	307	270072	768	135	75	19	5
4000	5000	1500	250	23	370	270073	768	135	75	19	5
6300	3000	1000	250	28	300	270074	842	160	90	23	6
6300	4000	1000	250	28	370	270075	842	160	90	23	6
10000	4000	1000	250	35	650	270076	1202	200	110	33	10
10000	5000	1500	250	35	760	270077	1202	200	110	33	10
10000	6000	1500	250	35	880	270078	1202	200	110	33	10
16000	4000	1000	250	43	838	270079	1359	260	140	36	16
16000	5000	1500	250	43	979	270080	1359	260	140	36	16
16000	6000	1500	250	43	1120	270081	1539	260	140	36	16
20000	3000	1000	250	53	738	270082	1513	260	140	36	16
20000	4000	1000	250	53	879	270083	1513	260	140	36	16
20000	5000	1500	250	53	1020	270084	1513	260	140	36	16

Also manufactured to customer requirements!

## Optional equipment for adjustable spreader beams Alpha as well as...



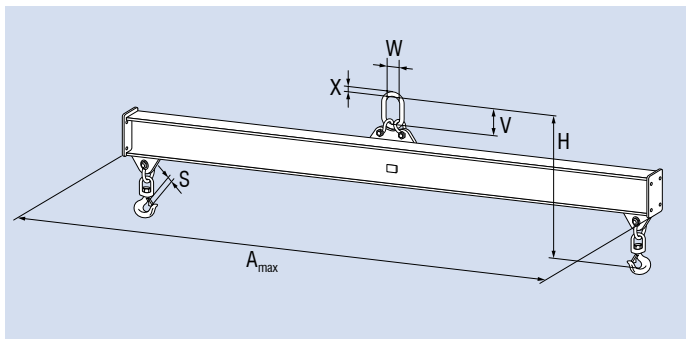
**⚠ Important hint:**  
There might be some deviations in the minimum working length (A<sub>min</sub>) when choosing option 2 for suspensions via chain slings.



## Rigid spreader beams



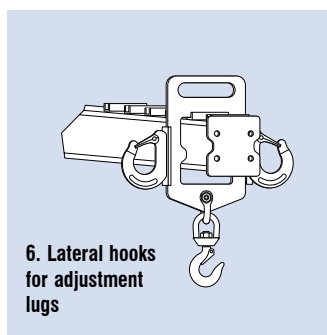
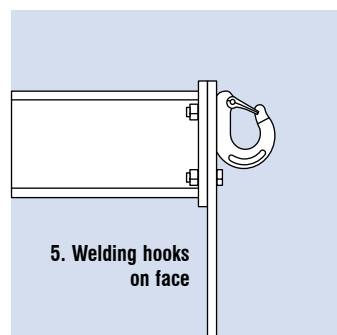
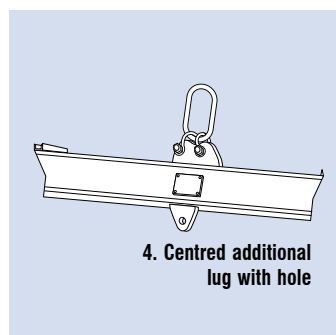
- ▶ Simple and sturdy design in sectional steel for hard continuous service.
- ▶ With suspension for single hooks acc. to DIN 15401.
- ▶ Attachment of diverse loads (with barycentric load centre of gravity) by two eye load hooks with fixed hook distance.
- ▶ Designed in accordance with DIN 13155 for 20,000 load cycles. Higher load cycles on enquiry!



SWL kg	Dimensions in mm		Weight approx. kg	Reference no.	Suspension Ring Dimensions in mm				Single Crane Hook till No.
	A <sub>max</sub>	S			H	V	W	Ø X	
1000	1000	22	30	272858	489	120	70	14	4
1000	1600	22	42	272859	489	120	70	14	4
1000	2500	22	60	272860	489	120	70	14	4
1600	1600	22	57	272861	521	120	70	14	4
1600	2500	22	79	272862	521	120	70	14	4
1600	3500	22	105	272863	521	120	70	14	4
2500	2000	22	111	272864	604	140	80	16	5
2500	3000	22	154	272865	604	140	80	16	5
2500	4000	22	197	272866	604	140	80	16	5
2500	5000	22	240	272867	604	140	80	16	5
4000	2500	23	228	272868	735	135	75	19	5
4000	4000	23	289	272869	735	135	75	19	5
4000	5000	23	350	272870	735	135	75	19	5
6300	3000	28	269	272871	824	160	90	23	6
6300	4000	28	340	272872	824	160	90	23	6
10000	4000	35	616	272873	1078	200	110	33	10
10000	5000	35	733	272874	1078	200	110	33	10
10000	6000	35	850	272875	1078	200	110	33	10
16000	4000	43	770	272876	1233	260	140	36	16
16000	5000	43	910	272877	1233	260	140	36	16
16000	6000	43	1050	272878	1233	260	140	36	16
20000	3000	53	670	272879	1345	260	140	36	16
20000	4000	53	810	272880	1345	260	140	36	16
20000	5000	53	950	272881	1345	260	140	36	16

Also manufactured to customer requirements!

## ...for rigid spreader beams against surcharge!



**⚠ Important hint:**  
Lateral hooks (option no. 6) are only possible for adjustable spreader beams Alpha.

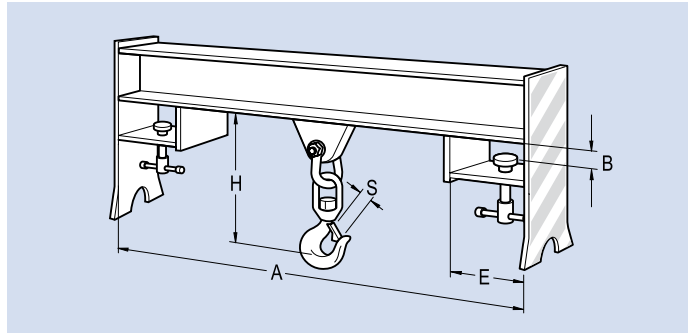


Spreader beams

## Spreader beam for fork lift applications CE

- ▶ Fork lifter spreader beams for highest demands.
- ▶ Load suspension via central, swivel-eye, safety load hook (not swivelling under load), optionally available with ball-bearing safety load hook for swivelling under load (extra charge!).
- ▶ Locked onto the prongs by two tommy screws with ball-and-socket-jointed compression discs.
- ▶ With set-down legs at the side for easy pickup by the fork lift prongs and safe and compact storage.

Modular spreader beams for particular lifting and transport processes. For slipping onto fork prongs or for direct pickup by the fork lift truck. Solid design made from steel section with welded pockets for fork lift prongs.



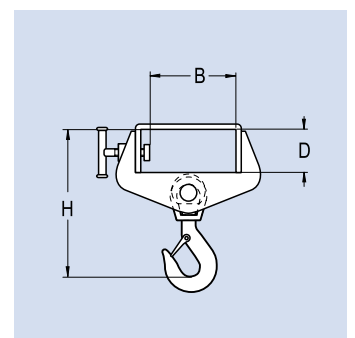
SWL kg	Dimensions in mm					Weight approx. kg	Reference no.
	A	B	E	H	S		
1000	600	55	180	240	22	13,0	171247
2500	600	60	180	265	25	25,8	171248
5000	600	60	180	350	34	32,0	171249
10000	950	70	210	365	53	100,0	171250

## Adapter for fork lift prongs CE

Lightweight construction for use by fork lift prong, with central swivel-eye, safety load hook\* and clampable tommy screws.

\* = not for swivelling under load! Optional hook rotatable under load available against additional charge!

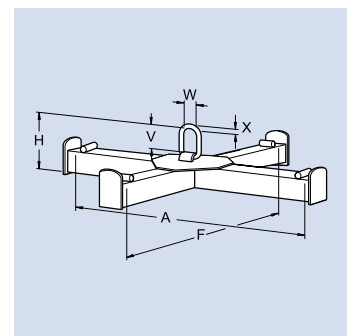
Also available with SWL 2 or 3 tonnes – please enquire.



SWL kg	fork lift truck width x height mm	Dimensions in mm			Weight kg	Reference no.
		H	B	D		
1000	125x50	190	125	50	4,1	181062

## Spreader beam for big-bag containers CE

Cross-shaped spreader beam made from fine-grained structural steel in closed, hollow section design with four-point suspension for suspending the big-bag loops directly over the hollow section (= low overall height).



SWL kg	Dimensions in mm						Weight approx. kg	Reference no.
	A	F	H	V	W	X		
1000	900	900	185	53	56	18	24	201872
2000	900	900	215	63	67	22	32	201873

## PFEIFER-Lifting and turning devices



### Lifting and turning devices: Customised and modularised solutions for lifting and turning heavy loads

- Whether spreader beams, large electromechanical grabs or positioners– you will find everything for lifting and turning heavy loads here.
- Our experienced technicians and engineers have been dealing with demanding lifting and turning tasks from all industrial sectors for decades.
- The devices meet the highest safety standards due to strict adherence to the prevailing rules and regulations, such as the 2006/42/EC Machinery Directive which has been in force since 29<sup>th</sup> December 2009.
- The lifting and turnover devices are therefore characterised by a particularly long service life, giving fault-free, safe and economic operation.



Interested?

Solicit free brochure under

→ [verkauf-It@pfeifer.de](mailto:verkauf-It@pfeifer.de)



## Our Services

- **Trust in experience** – we have been providing lifting technology solutions for decades.
- **Individual consulting** – for customers at every step – before, during and after the purchase of a lifting device.
- **Highest safety standards** – design and manufacturing meet the current EN and DIN standards.



**We will be happy to  
prepare an individual  
quotation for you!**

### Germany

DE-87700 MEMMINGEN  
TELEPHONE +49 (0) 83 31-937-636  
E-MAIL [verkauf-It@pfeifer.de](mailto:verkauf-It@pfeifer.de)

### Austria

AT-4481 ASTEN  
TELEPHONE +43 (0) 72 24-6 62 24-0  
E-MAIL [info@pfeifer-austria.at](mailto:info@pfeifer-austria.at)

### Switzerland

CH-8934 KNONAU  
TELEPHONE +41 (0) 768 55-55  
E-MAIL [info@pfeifer-isofer.ch](mailto:info@pfeifer-isofer.ch)

### Luxembourg

LU-3844 SCHIFFLANGE  
TELEPHONE +352-57 42 42  
E-MAIL [info@pfeifer-sogequip.lu](mailto:info@pfeifer-sogequip.lu)  
INTERNET [www.pfeifer.info](http://www.pfeifer.info)

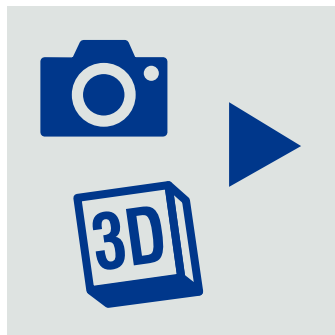
## The PFEIFER product centre

**new!**



### User-friendly concept – quick and easy

Thanks to the clear navigation, the products can be found quickly and easily – if needed, the high-performance search can support.



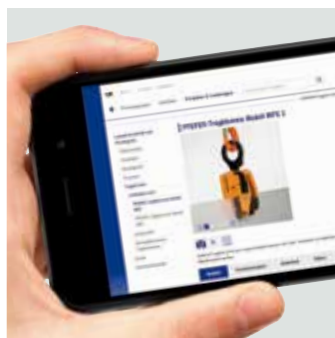
### Extensive picture area – impressive and varied

With only one click the website visitor can change between picture galleries, interactive 3D models and application videos.



### All information on the product – compact and clear

At the product itself, the full and detailed information are displayed compactly and clearly by tabs: dimensional drawings, technical data, downloads etc.



### New design – modern and dynamic

All information is also available on mobile devices and is perfectly displayed in each screen size and resolution due to responsive web design.



Experience lifting and turning devices by PFEIFER in a new way under

→ [www.pfeifer.info/lift-and-turn](http://www.pfeifer.info/lift-and-turn)

## PFEIFER – at your service all over the world



### GERMANY

■ **Memmingen**  
 TEL +49-8331-937-112  
 E-MAIL [complett@pfeifer.de](mailto:complett@pfeifer.de)  
 WEB [www.pfeifer.info](http://www.pfeifer.info)

Service centres in your area:

■ **Berlin**  
 Lengeder Straße 21 – 23  
 13407 Berlin

■ **Hamburg**  
 Mühlenhagen 164  
 20539 Hamburg

■ **Mülheim**  
 Tunnelstraße 38  
 45478 Mülheim

■ **Mannheim**  
 Markircher Straße 14  
 68229 Mannheim

### AUSTRIA

■ **Asten**  
 TEL +43-7224-66224-0  
 E-MAIL [info@pfeifer-austria.at](mailto:info@pfeifer-austria.at)  
 WEB [www.pfeifer-austria.at](http://www.pfeifer-austria.at)

### SWITZERLAND

■ **Knonau**  
 TEL +41-44-768-55-55  
 E-MAIL [info@pfeifer-isofer.ch](mailto:info@pfeifer-isofer.ch)  
 WEB [www.pfeifer-isofer.ch](http://www.pfeifer-isofer.ch)

### LUXEMBOURG / FRANCE

■ **Schiffflange**  
 TEL +352-574242  
 +33-676 54 42 68  
 E-MAIL [info@pfeifer-sogequip.lu](mailto:info@pfeifer-sogequip.lu)  
 WEB [www.pfeifer-sogequip.lu](http://www.pfeifer-sogequip.lu)

### POLAND

■ **Wrocław**  
 TEL +48-71-3980760  
 E-MAIL [info@pfeifer.pl](mailto:info@pfeifer.pl)  
 WEB [www.pfeifer.pl](http://www.pfeifer.pl)

### GREAT BRITAIN

■ **Crewe**  
 TEL +44-1270-587728  
 E-MAIL [sales@pfeiferdrako.co.uk](mailto:sales@pfeiferdrako.co.uk)  
 WEB [www.pfeifer.co.uk](http://www.pfeifer.co.uk)

■ **Southampton**  
 TEL +44-23-8066-5470  
 E-MAIL [sales@ropeandtackle.com](mailto:sales@ropeandtackle.com)  
 WEB [www.ropeandtackle.com](http://www.ropeandtackle.com)

### SPAIN

■ **Madrid**  
 TEL +34-91-659-3185  
 E-MAIL [p-es@pfeifer.es](mailto:p-es@pfeifer.es)  
 WEB [www.pfeifer.es](http://www.pfeifer.es)

### HUNGARY

■ **Budapest**  
 TEL +36-1-2601014  
 E-MAIL [info@pfeifer-garant.hu](mailto:info@pfeifer-garant.hu)  
 WEB [www.pfeifer-garant.hu](http://www.pfeifer-garant.hu)

### USA

■ **Hampton**  
 TEL +1-7578252544  
 E-MAIL [info@pfeifer.us.com](mailto:info@pfeifer.us.com)  
 WEB [www.pfeifer.us.com](http://www.pfeifer.us.com)

### RUSSIA

■ **Moscow**  
 TEL +7-495-363-01-27  
 E-MAIL [info@pfeiferrussia.ru](mailto:info@pfeiferrussia.ru)  
 WEB [www.pfeiferrussia.ru](http://www.pfeiferrussia.ru)

■ **St. Petersburg**  
 TEL +7-812-740-12-24  
 E-MAIL [info@pfeiferrussia.ru](mailto:info@pfeiferrussia.ru)  
 WEB [www.pfeiferrussia.ru](http://www.pfeiferrussia.ru)

### CHINA

■ **Shanghai**  
 TEL +86-21-56778006  
 E-MAIL [info@pfeifer.com.cn](mailto:info@pfeifer.com.cn)  
 WEB [www.pfeifer.com.cn](http://www.pfeifer.com.cn)

### UAE

■ **Dubai**  
 TEL +971-4-883-8445  
 E-MAIL [sales@pfeifer.ae](mailto:sales@pfeifer.ae)  
 WEB [www.pfeifer.ae](http://www.pfeifer.ae)